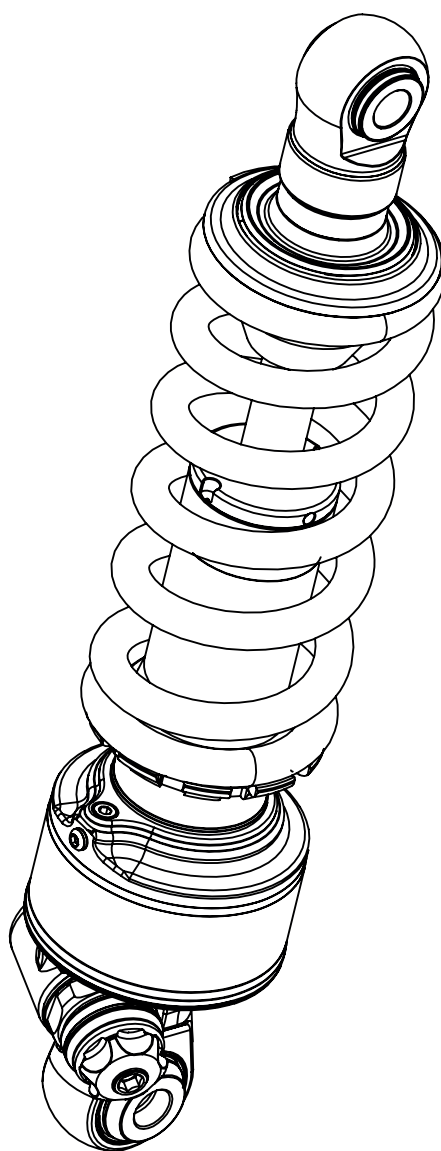
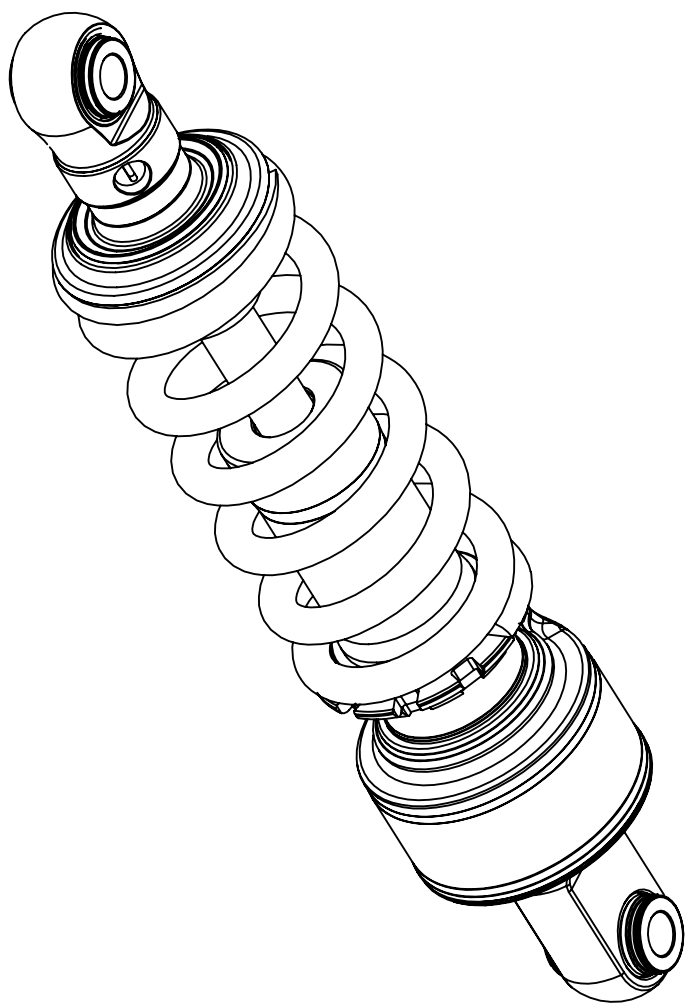


# CATALOGUS



## GASGAS TRIAL DAMPER REPLICA & RACING



Reiger Suspension BV  
Molenenk 5a  
NL-7255 AX Hengelo Gld.  
Tel.: +31 (0)575-462077

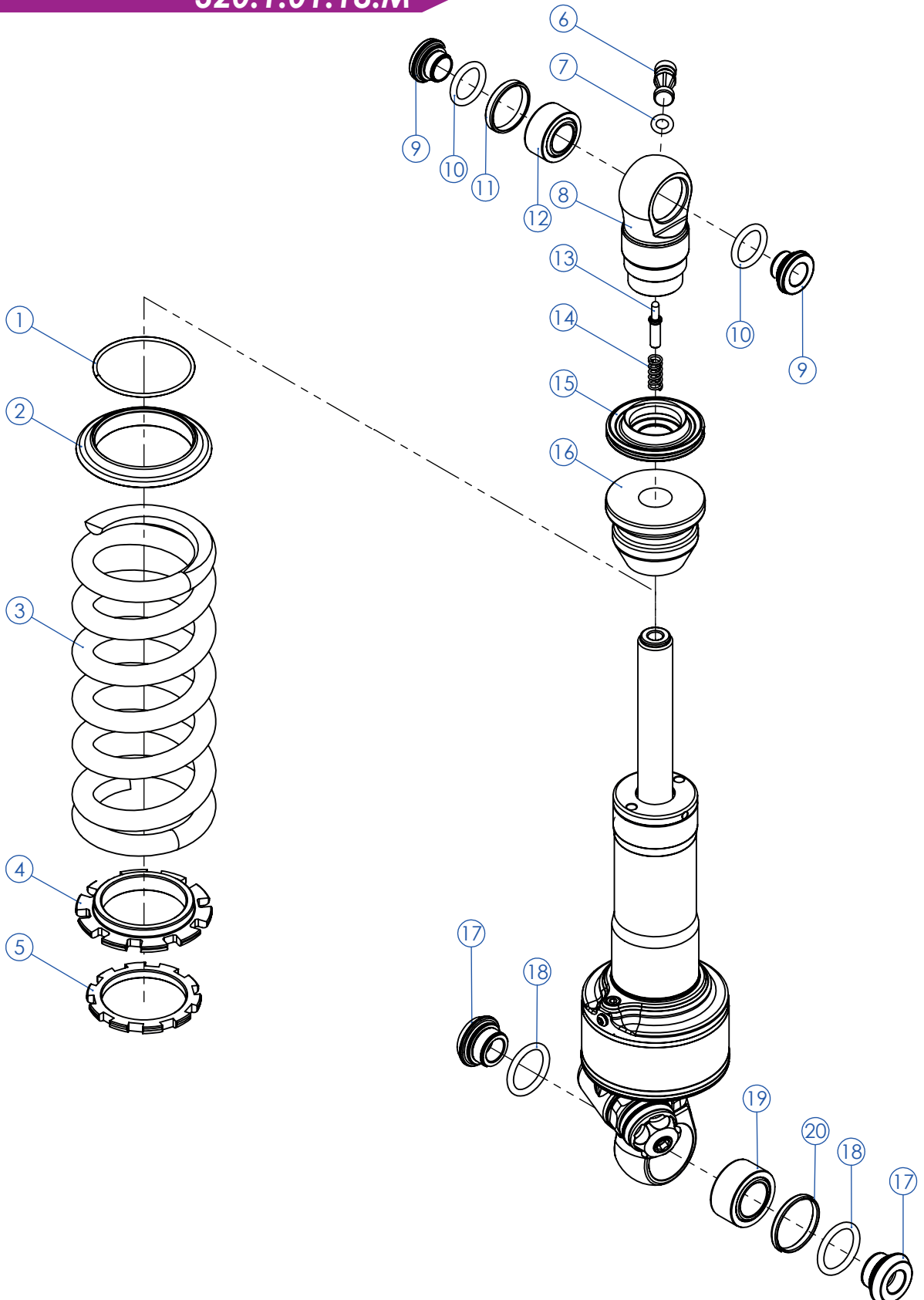
[info@reigersuspension.com](mailto:info@reigersuspension.com)  
[www.reigersuspension.com](http://www.reigersuspension.com)

## CONTENT

GasGas Trial Replica Damper Drawing	Nr. 320.1.01.18.M	3
GasGas Replica Damper Item List	Nr. 320.1.01.18.M	4
GasGas TXT Racing Damper Drawing	Nr. 320.1.01.22.M	5
GasGas Racing Damper Item List	Nr. 320.1.01.22.M	6

# GasGas Trial Replica Damper Drawing

320.1.01.18.M



## GasGas Trial Replica Damper Items

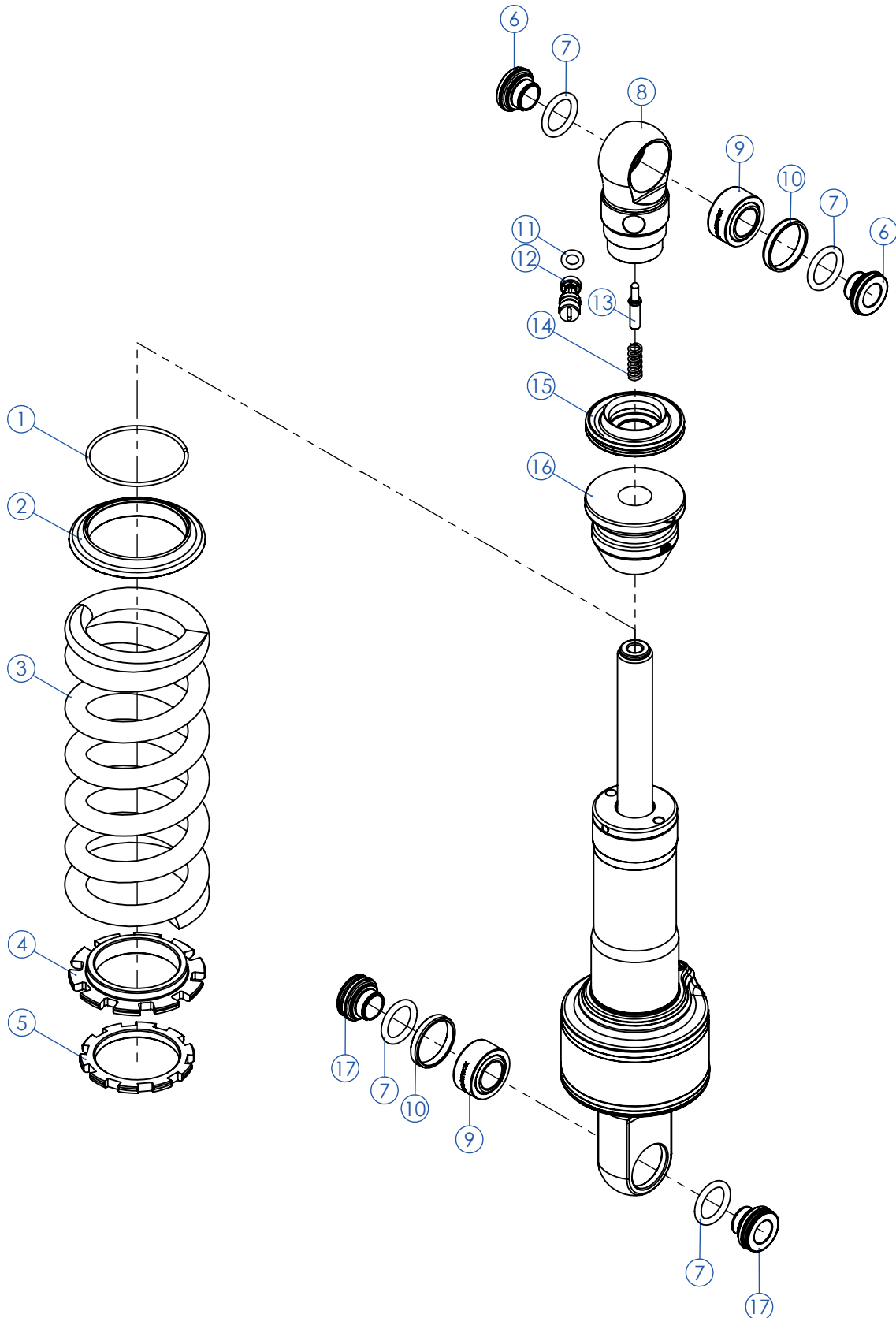
### 320.1.01.18.M

Item No.	Qty	Part Number	Description	Set Description
1	1	9.37.00.1.50	Retaining ring	
2	1	360.5.15.35	Spring seat	
3	1	RRS 41##	Spring	
4	1	320.5.15.04	Spring seat $\varnothing 55-\varnothing 41$	
5	1	320.5.15.03	Spring seat lock nut	
6	1	360.4.24.08.A	Rebound adjuster	Rebound adjuster set *
7	1		O-ring NBR	
13	1		Needle seat	
14	1		Click spring	
8	1	360.5.07.17	Spindle end	
9	2	460.5.07.17.A	Bearing busch	Bearing repair set spindle end *
10	2		O-ring NBR	
11	1		Bearing ring	
12	1		Spherical bearing	
15	1	460.5.11.79	Spring seat lock ring	
16	1	340.4.18.18	Bumpstop	
17	2	460.5.07.90.A	Bearing busch 6,9	Bearing repair set damper bottom (Replica) *
18	2		O-ring NBR	
19	1		Spherical bearing	
20	1		Bearing ring	

\* Only available as a set

# GasGas Trial Racing Damper Drawing

320.1.01.22.M



## GasGas Trial Racing Damper Items

### 320.1.01.22.M

Item No.	Qty	Part Number	Description	Set Description
1	1	9.37.00.1.50	Retaining ring	
2	1	360.5.15.35	Spring seat	
3	1	RRS 41##	Spring	
4	1	320.5.15.04	Spring seat $\varnothing 55-\varnothing 41$	
5	1	320.5.15.03	Spring seat lock nut	
6	2	460.5.07.17.A	Bearing busch	Bearing repair set spindle end *
7	2		O-ring NBR	
9	1		Spherical bearing	
10	1		Bearing ring	
8	1	360.5.07.17	Spindle end	
11	1	360.4.24.08.A	O-ring NBR	Rebound adjuster set *
12	1		Rebound adjuster	
13	1		Needle seat	
14	1		Click spring	
15	1	460.5.11.79	Spring seat lock ring	
16	1	340.4.18.18	Bumpstop	
17	2	460.5.07.18.A	Bearing busch 6,9	Bearing repair set damper bottom (Racing) *
7	2		O-ring NBR	
9	1		Spherical bearing	
10	1		Bearing ring	

\* Only available as a set